



## Name Specifications and Description Document

Version: 1.1

Date: 16 August 2013

Author: Valerie Smothers

Author email: [valerie.smothers@medbiq.org](mailto:valerie.smothers@medbiq.org)

### Version History

<b>Version No.</b>	<b>Date</b>	<b>Changed By</b>	<b>Changes Made</b>
1.0	27 June 2008		
1.1	16 August 2013	Valerie Smothers	Applied common attributes to NameDetails datatype. Updated namespace to <a href="http://ns.medbiq.org/name/v2/">http://ns.medbiq.org/name/v2/</a>

## MedBiquitous Consortium XML Public License and Terms of Use

MedBiquitous XML (including schemas, specifications, sample documents, Web services description files, and related items) is provided by the copyright holders under the following license. By obtaining, using, and or copying this work, you (the licensee) agree that you have read, understood, and will comply with the following terms and conditions.

The Consortium hereby grants a perpetual, non-exclusive, non-transferable, license to copy, use, display, perform, modify, make derivative works of, and develop the MedBiquitous XML for any use and without any fee or royalty, provided that you include the following on ALL copies of the MedBiquitous XML or portions thereof, including modifications, that you make.

1. Any pre-existing intellectual property disclaimers, notices, or terms and conditions. If none exist, the following notice should be used: “Copyright © [date of XML release] MedBiquitous Consortium. All Rights Reserved. <http://www.medbiq.org>”
2. Notice of any changes or modification to the MedBiquitous XML files.
3. Notice that any user is bound by the terms of this license and reference to the full text of this license in a location viewable to users of the redistributed or derivative work.

In the event that the licensee modifies any part of the MedBiquitous XML, it will not then represent to the public, through any act or omission, that the resulting modification is an official specification of the MedBiquitous Consortium unless and until such modification is officially adopted.

THE CONSORTIUM MAKES NO WARRANTIES OR REPRESENTATIONS, EXPRESS OR IMPLIED, WITH RESPECT TO ANY COMPUTER CODE, INCLUDING SCHEMAS, SPECIFICATIONS, SAMPLE DOCUMENTS, WEB SERVICES DESCRIPTION FILES, AND RELATED ITEMS. WITHOUT LIMITING THE FOREGOING, THE CONSORTIUM DISCLAIMS ANY IMPLIED WARRANTIES OF MERCHANTABILITY OR FITNESS FOR A PARTICULAR PURPOSE AND ANY WARRANTY, EXPRESS OR IMPLIED, AGAINST INFRINGEMENT BY THE MEDBIQUITOUS XML OF ANY THIRD PARTY PATENTS, TRADEMARKS, COPYRIGHTS OR OTHER RIGHTS. THE LICENSEE AGREES THAT ALL COMPUTER CODES OR RELATED ITEMS PROVIDED SHALL BE ACCEPTED BY LICENSEE “AS IS”. THUS, THE ENTIRE RISK OF NON-PERFORMANCE OF THE MEDBIQUITOUS XML RESTS WITH THE LICENSEE WHO SHALL BEAR ALL COSTS OF ANY SERVICE, REPAIR OR CORRECTION.

IN NO EVENT SHALL THE CONSORTIUM OR ITS MEMBERS BE LIABLE TO THE LICENSEE OR ANY OTHER USER FOR DAMAGES OF ANY NATURE, INCLUDING, WITHOUT LIMITATION, ANY GENERAL, DIRECT, INDIRECT, INCIDENTAL, CONSEQUENTIAL, OR SPECIAL DAMAGES, INCLUDING LOST PROFITS, ARISING OUT OF ANY USE OF MEDBIQUITOUS XML.

LICENSEE SHALL INDEMNIFY THE CONSORTIUM AND EACH OF ITS MEMBERS FROM ANY LOSS, CLAIM, DAMAGE OR LIABILITY (INCLUDING, WITHOUT LIMITATION, PAYMENT OF ATTORNEYS' FEES AND COURT COSTS) ARISING OUT OF MODIFICATION OR USE OF THE MEDBIQUITOUS XML OR ANY RELATED CONTENT OR MATERIAL BY LICENSEE.

LICENSEE SHALL NOT OBTAIN OR ATTEMPT TO OBTAIN ANY PATENTS, COPYRIGHTS OR OTHER PROPRIETARY RIGHTS WITH RESPECT TO THE MEDBIQUITOUS XML.

THIS LICENSE SHALL TERMINATE AUTOMATICALLY IF LICENSEE VIOLATES ANY OF ITS TERMS AND CONDITIONS.

The name and trademarks of the MedBiquitous Consortium and its members may NOT be used in advertising or publicity pertaining to MedBiquitous XML without specific, prior written permission. Title to copyright in MedBiquitous XML and any associated documentation will at all times remain with the copyright holders.

## Table of Contents

<b>MedBiquitous Consortium XML Public License and Terms of Use.....</b>	<b>2</b>
<b>Acknowledgements .....</b>	<b>5</b>
<b>Introduction.....</b>	<b>7</b>
<b>Documentation Conventions.....</b>	<b>8</b>
<b>Data Elements and Types.....</b>	<b>9</b>
<b>Name Schema Grammar.....</b>	<b>10</b>
1 Name.....	10
2 Alias.....	13
3 FormerName.....	14
<b>Sample XML Document.....</b>	<b>16</b>

## Acknowledgements

MedBiquitous wishes to acknowledge the help of the MedBiquitous Professional Profile Working Group members, staff, and other individuals that contributed to the creation of this document, including:

- Archana Aida, American Board of Pediatrics
- Skip Bartolanzo, American Board of Pediatrics
- David Breeskin, American College of Radiology
- Tom Brantigan, TMA Resources
- Louis Brown, American College of Radiology
- Susan Bush, Federation of State Medical Boards
- Jose Cayere, American College of Radiology
- Shyuan Cho, American Society for Clinical Oncology
- Todd Freter, Sun Microsystems
- Peter Greene, MD, MedBiquitous
- Terry Hardin, IBM
- Rob Hawkins, American Board of Medical Specialties
- Marcia Hendershot, American College of Radiology
- David Hooper, Federation of State Medical Boards
- Jim Jahrling, American Board of Medical Specialties
- Mohamoud Jibrell, American Psychiatric Association
- Paul Jolly, Association of American Medical Colleges
- Donald Jones, American College of Chest Physicians
- Wayne Koch, MD, American Head and Neck Society
- David Krusch, American College of Surgeons
- Jon McBride, CorMed
- Laura Martin, American Board of Pediatrics
- Kathy McGree, European Association for Cardio-thoracic Surgery
- Joseph O'Conner, Educational Commission for Foreign Medical Graduates
- Jody Poet, MedBiquitous
- Monica Quiroz, American Medical Association
- Kelly Reddick, American Board of Pediatrics
- Pam Shellner, American Association of Critical Care Nurses
- Valerie Smothers, MedBiquitous
- Cyndi Streun, Federation of State Medical Boards
- Howard Tanzman, American College of Surgeons
- Todd Tischendorf, CE City
- Toby Vandermark, American Board of Pediatrics
- Deborah Whippen, American Society for Clinical Oncology

Joel Farrell, IBM, Chair of the MedBiquitous Consortium Technical Steering Committee, and Scott Hinkelman, IBM, Web Services Technology Architect for the MedBiquitous Consortium have contributed their expertise to ensure that this specification is well-designed and interoperable with related industry standards.

Other XML schema were reviewed in the creation of this schema, specifically the HR-XML Person Name Schema and Specification. For more information, visit [http://ns.hr-xml.org/2\\_0/HR-XML-2\\_0/CPO/PersonName.pdf](http://ns.hr-xml.org/2_0/HR-XML-2_0/CPO/PersonName.pdf).

## Introduction

This document describes the MedBiquitous Name XML Schema in detail. It is intended for use by any one who wants to exchange person name information based on this specification. The status of the document is indicated at the bottom of the page; draft documents are subject to review and approval through the MedBiquitous ANSI-accredited process (see [http://medbiq.org/working\\_groups/consortium\\_process/MedBiquitousANSIProcess.pdf](http://medbiq.org/working_groups/consortium_process/MedBiquitousANSIProcess.pdf) ).

The objective of this Name Schema is to provide a data structure that allows one to represent a person name in a standard format. It can be used alone or imported into other XML schema that must represent person names. It is designed to be highly reusable.

Name data is essential to professional societies, certifying boards, licensing boards, universities, and industry partners and is often exchanged among these entities for many purposes. A standard format for this data will simplify business processes for these organizations and could reduce administrative costs as well.

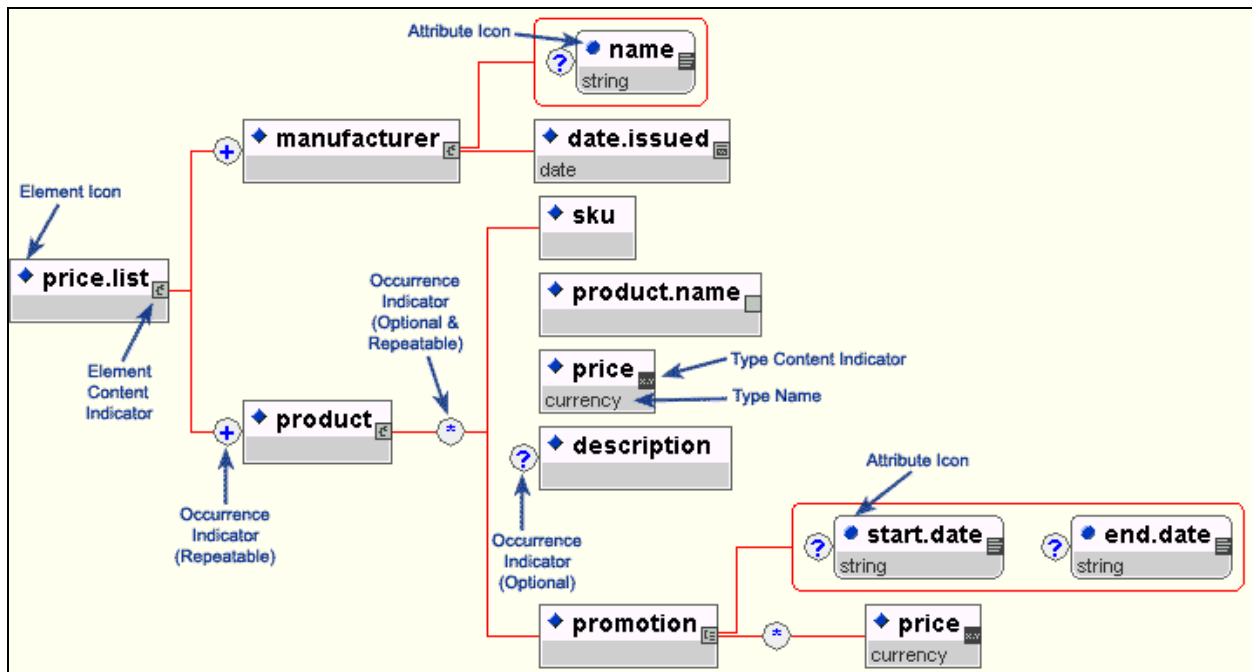
We encourage the use of this schema within other schema.

## Documentation Conventions

This document uses the following conventions.

Documentation Conventions	
Convention	Description
monospaced type	Sample XML tags, code, schema, or portion thereof
<b>BoldText</b>	When used with an XML tag name, indicates that the element contains sub-elements
<i>Italicized Text</i>	When used in an XML tag description, an attribute of the XML tag.
Tag description	Shading indicated that the tag is further described in a later part of the document

The following graphical standards are used for the XML diagrams in this document.



*Graphical Standards from TIBCO's Turbo XML, Copyright TIBCO Software Inc.*



## Data Elements and Types

The Name schema includes the following data elements.

1. Name
2. FormattedName
3. Title
4. GivenName
5. FamilyName
6. GenerationIdentifier
7. Degree
8. Alias
9. FormerName

## Name Schema Grammar

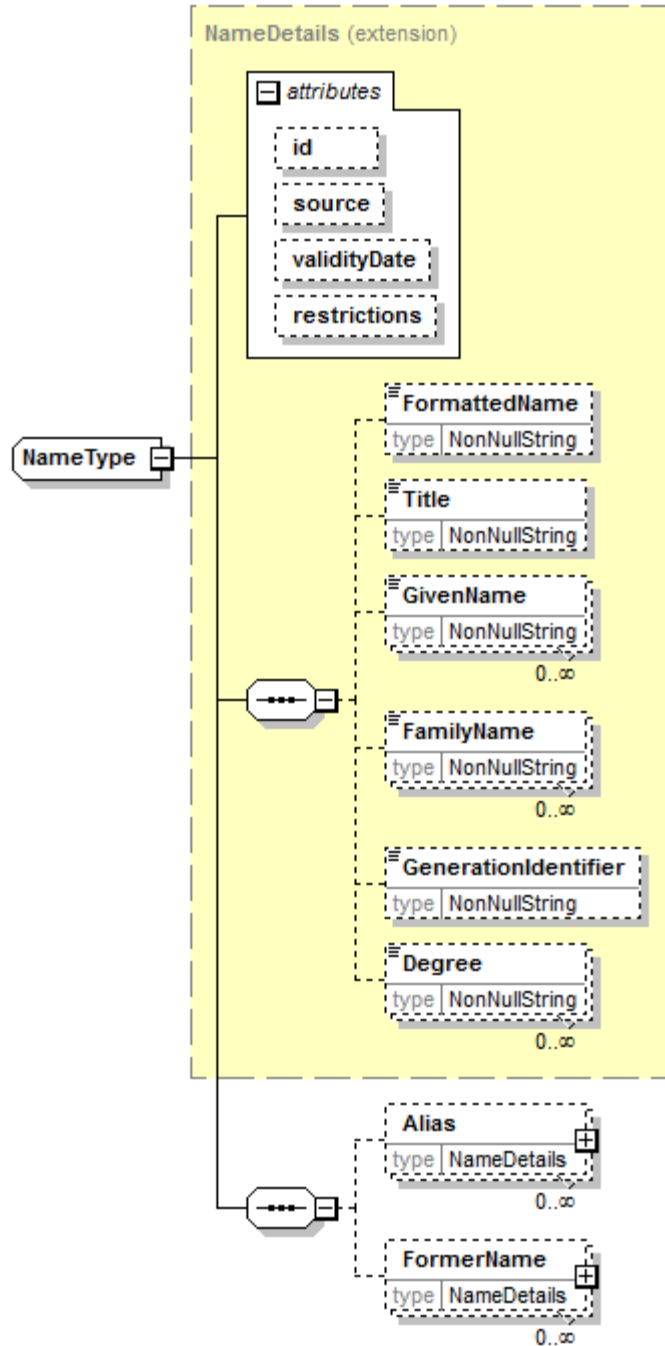
The following sections explain the Name schema grammar. Values in bold under XML Tags column indicate that the element has sub-elements.

The XML schema is available online at <http://ns.medbiq.org/name/v1/>.

Datatypes not otherwise defined in the document, such as date, refer to datatypes defined within the XML 1.0 technical specification. For information on these datatypes, see the W3C Extensible Markup Language (XML) 1.0 (Fourth Edition).

### **1 Name**

Name is the root element of the schema. It contains subelements that define a single individual's name.



Generated by XMLSpy

www.altova.com

### Name Information

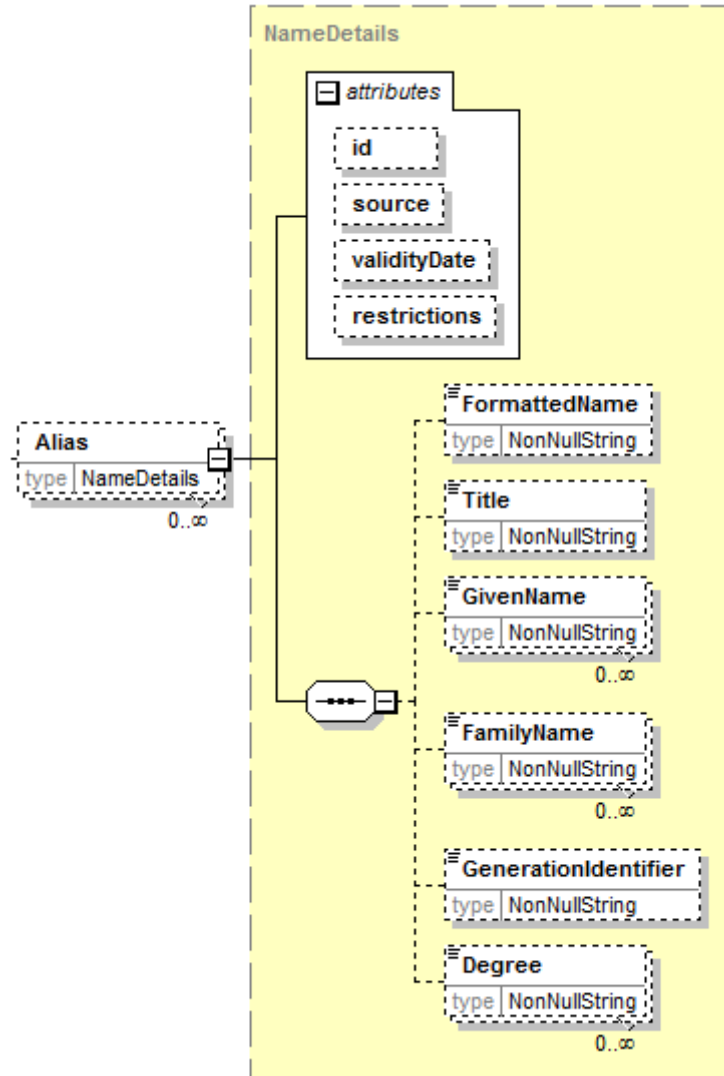
Element	Description	Required	Multiplicity	Datatype
<b>Name</b>	Name is the root element. It contains sub-elements that define a person's name in detail.  Name has the following attributes:	Required	1	Container

Element	Description	Required	Multiplicity	Datatype
	<p><i>id</i> A unique identifier for this piece of data. The identifier must be unique within the scope of the Healthcare Professional Profile document.</p> <p><i>source</i> The source of this piece of data.</p> <p><i>validityDate</i> The date this piece of data was deemed valid. For example, the date of entry.</p> <p><i>restrictions</i> Indicates whether this address is to be unrestricted, restricted, or confidential when sharing information with partner organizations or the general public. Valid values are: Unrestricted, Restricted, Confidential.</p> <p>Unrestricted indicates that a piece of data may be shared or published.</p> <p>Restricted indicates that a piece of data may be shared in some instances, but not published. Policies must be defined surrounding the use of restricted data.</p> <p>Confidential indicates that a piece of data may not be shared or published.</p>			
FormattedName	FormattedName is the subelement of Name. It defines an individual's name with all components in the proper order. FormattedName takes into account cultural issues regarding order that are not addressed by name components (first name, middle name, family name) alone.	Optional	0 or 1	Non-null String
Title	Title is the subelement of Name. It defines a title of courtesy, honorific title, or professional title to be used with the individual's name. For example, Mr., Ms., Professor.	Optional	0 or 1	Non-null String
GivenName	GivenName is the subelement of	Optional	0 or more	Non-null

Element	Description	Required	Multiplicity	Datatype
	Name. It defines a person's first name or given name. For example, John. If there are multiple occurrences, the order is implied by the order of appearance. For example, a middle name may be represented as a second given name.			String
FamilyName	FamilyName is the subelement of Name. It defines a person's last name or family name. If there are multiple occurrences, the order is implied by the order of appearance. If an individual has one name only, use FamilyName to indicate that name.	Optional	0 or more	Non-null String
GenerationIdentifier	GenerationIdentifier is the subelement of Name. It distinguishes family members with the same name. For example, Jr, Sr., III.	Optional	0 or 1	Non-null String
Degree	Degree is the subelement of Name. It defines degree abbreviations to be appended to a person's name. For example, MD, PhD, and RN.	Optional	0 or more	Non-null String
<b>Alias</b>	Alias is the subelement of Name. It defines an additional name by which the person is known.	Optional	0 or more	Container
<b>FormerName</b>	FormerName is the subelement of Name. It defines a previous name, such as a maiden name.	Optional	0 or more	Container

## 2 Alias

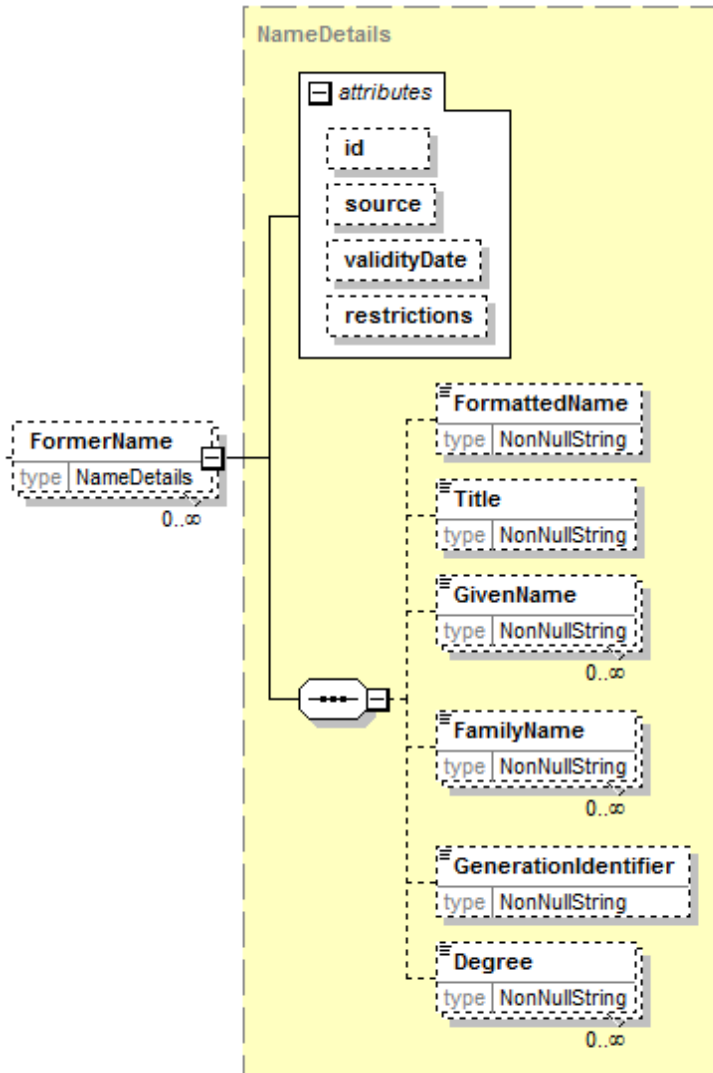
Alias is the subelement of Name. It defines an additional name by which the person is known.



For descriptions of the Alias subelements, see the Name section.

### 3 FormerName

FormerName is a subelement of the root element Name. FormerName defines a previous name, such as a maiden name.



Generated by XMLSpy

www.altova.com

For descriptions of the FormerName subelements, see the Name section.

## Sample XML Document

```
<?xml version = "1.0" encoding = "UTF-8"?>
<Name xmlns = "http://ns.medbiq.org/name/v1/"
xmlns:xsi = "http://www.w3.org/2001/XMLSchema-instance"
xsi:schemaLocation = "http://ns.medbiq.org/name/v1/
http://ns.medbiq.org/name/v1/name.xsd">
  <FormattedName>Jane Allen Doe, MD</FormattedName>
  <Title>Professor</Title>
  <GivenName>Jane</GivenName>
  <FamilyName>Allen</FamilyName>
  <FamilyName>Doe</FamilyName>
  <Degree>MD</Degree>
  <FormerName>
    <GivenName>Jane</GivenName>
    <FamilyName>Allen</FamilyName>
  </FormerName>
</Name>
```